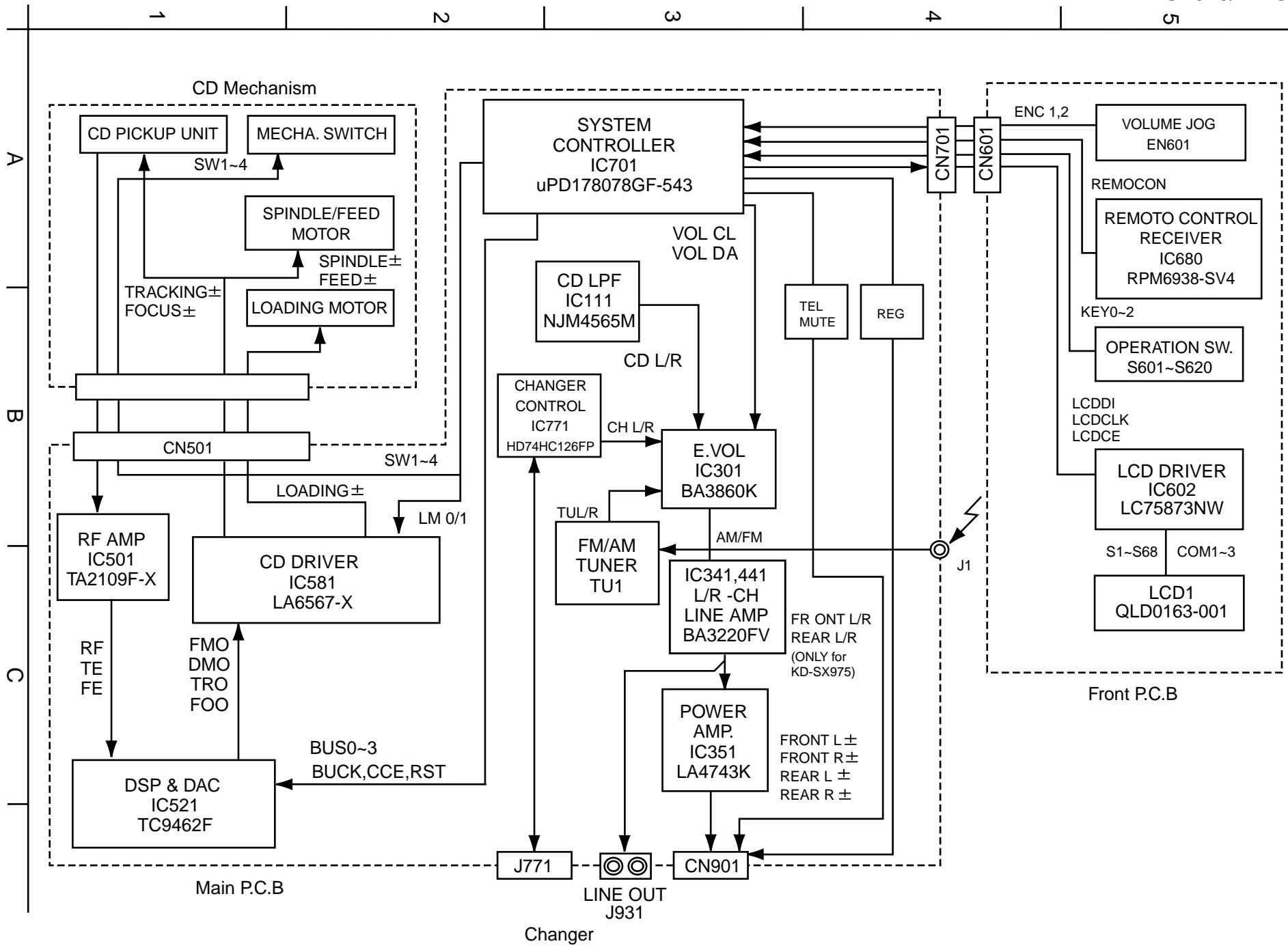


Block diagram



< M E M O >

Standard schematic diagrams

Receiver & system control section

- NOTES**
1. VOLTAGES ARE DC-MEASURED WITH A DIGITAL VOLT METER WITHOUT INPUT SIGNAL CONDITION—FM MODE. □ AM MODE. (□) CD MODE.
 2. UNLESS OTHERWISE SPECIFIED, ALL RESISTORS ARE 1/10W ±5% METAL GLAZE RESISTOR. ALL CAPACITORS ARE 50V OR 25V CERAMIC CAPACITOR. ALL RESISTANCE VALUES ARE IN OHM. ALL CAPACITANCE VALUES ARE IN PPF. ALL CAPACITORS ARE SHOWN IN THE FORM OF CAPACITANCE(UF)/RATED VOLTAGE(V). TF — T.F. CAPACITOR

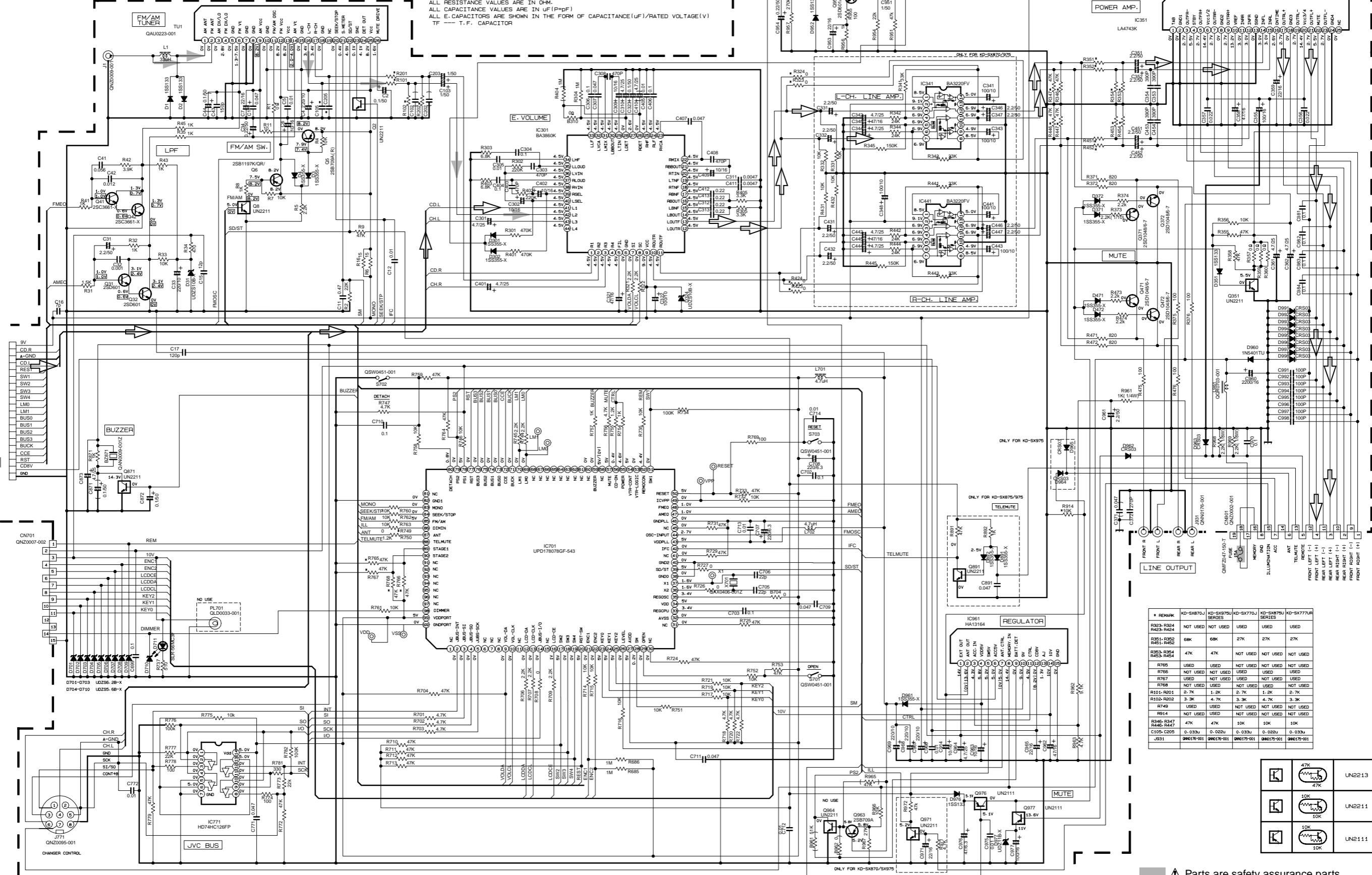
5

4

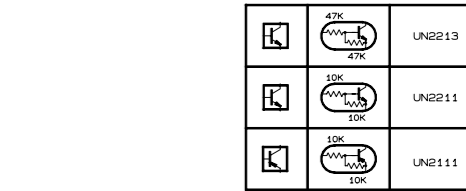
3

2

1



REMARK	KD-SX870J	KD-SX975U	KD-SX70J	KD-SX75U	KD-SX777U
R323-R324	NOT USED	NOT USED	USED	USED	USED
R325-R326	NOT USED	NOT USED	USED	USED	USED
R351-R352	68K	68K	27K	27K	27K
R353-R354	47K	47K	NOT USED	NOT USED	NOT USED
R355-R356	USED	USED	NOT USED	NOT USED	NOT USED
R765	USED	USED	NOT USED	NOT USED	NOT USED
R766	NOT USED	NOT USED	USED	USED	USED
R767	USED	NOT USED	USED	NOT USED	NOT USED
R768	NOT USED	USED	NOT USED	USED	NOT USED
R101-R101	2.7K	1.2K	2.7K	1.2K	2.7K
R102-R102	3.3K	4.7K	3.3K	4.7K	3.3K
R748	USED	USED	NOT USED	NOT USED	NOT USED
R914	NOT USED	USED	NOT USED	NOT USED	NOT USED
R346-R347	47K	47K	10K	10K	10K
R446-R447	47K	47K	10K	10K	10K
C105-C105	0.033u	0.022u	0.033u	0.022u	0.033u
J931	0N10176-001	0N10176-001	0N10176-001	0N10176-001	0N10176-001



Note:tr/ies/sx875/3181.001
FSDH3181-006BW 1/3
KD-SX870J/770J/777UR/875U/975U SERIES

➔ CD/Main signal ➔ Tuner signal

⚠ Parts are safety assurance parts. When replacing those parts make sure to use the specified one.

■ Mecha control circuit section

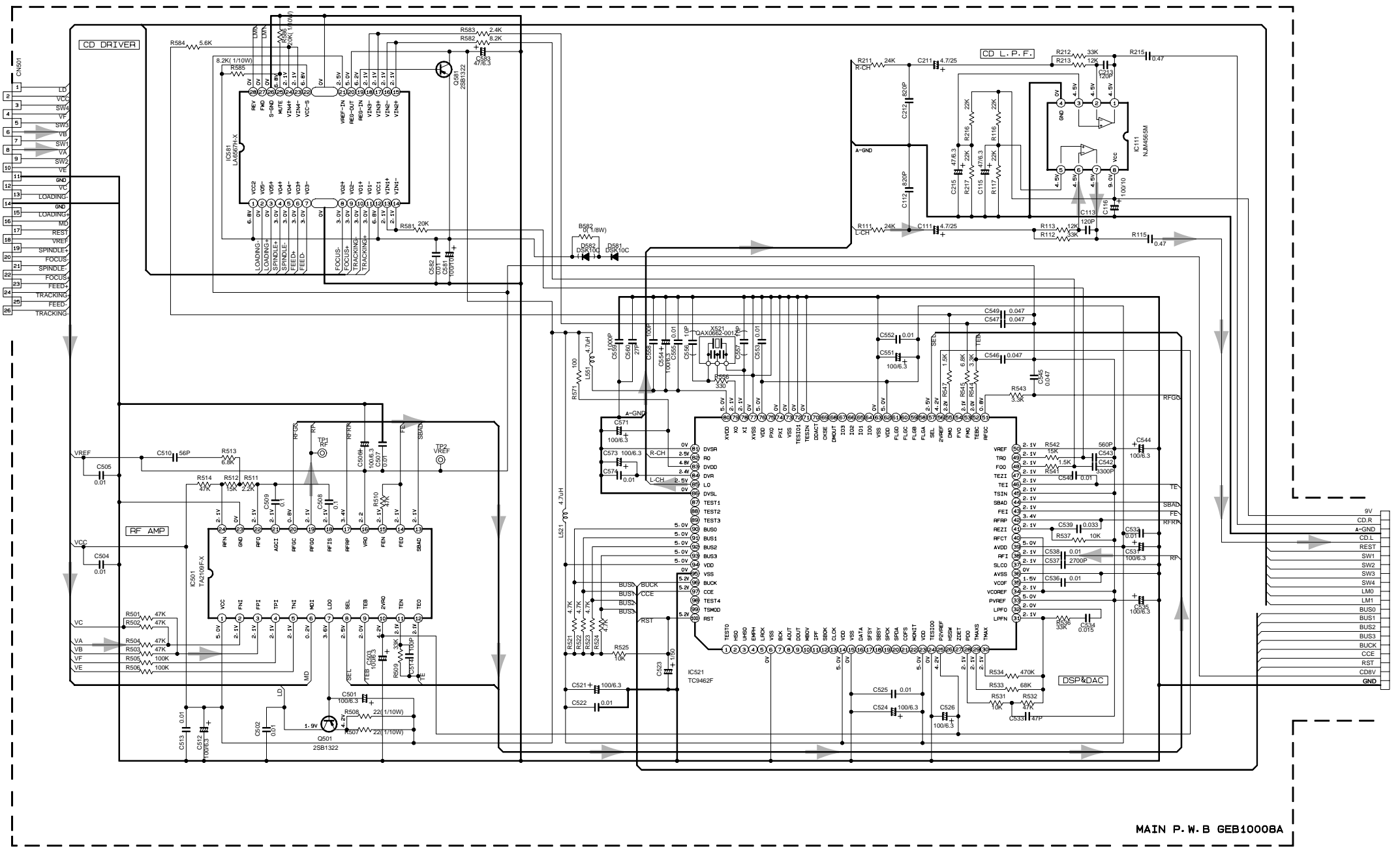
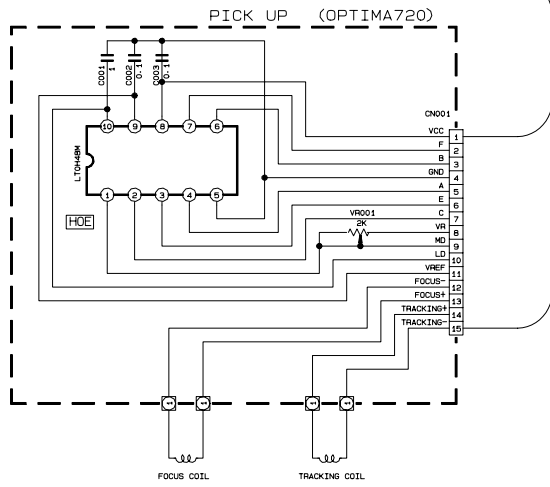
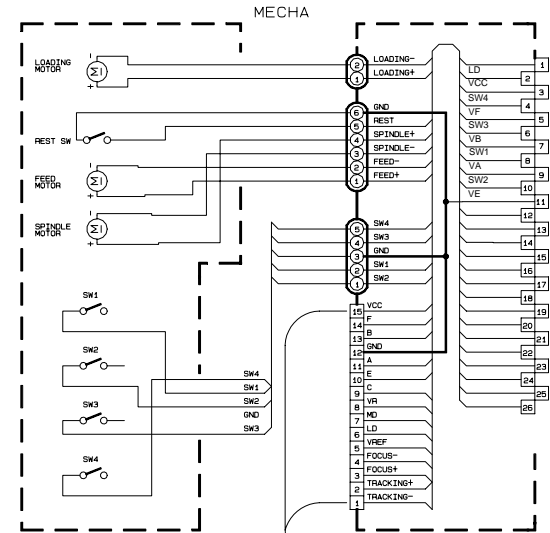
5

4

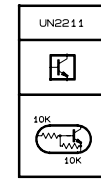
3

2

1



➔ CD/Main signal

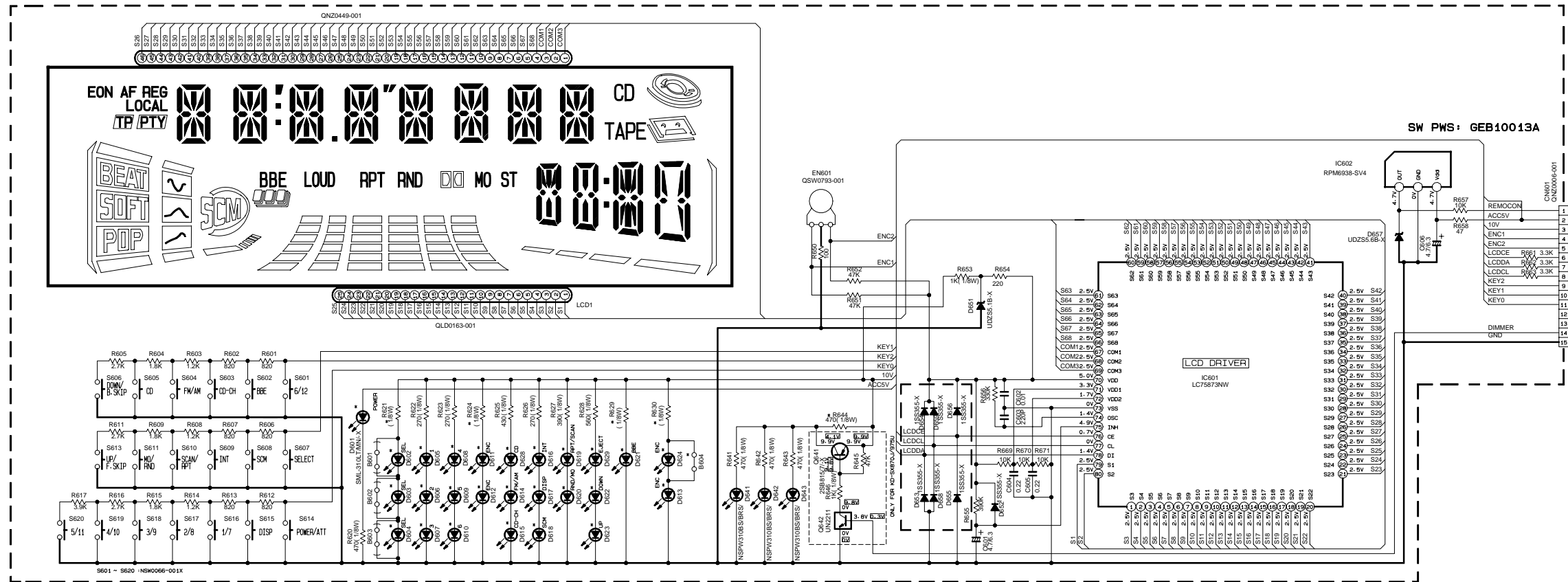


- NOTES
- VOLTAGES ARE DC-MEASURED WITH A DIGITAL VOLT METER WITHOUT INPUT SIGNAL CONDITION---CD MODE.
 - UNLESS OTHERWISE SPECIFIED, ALL RESISTORS ARE 1/10W 45% METAL GLAZE RESISTOR. ALL CAPACITORS ARE 50V OR 25V OR 16V CERAMIC CAPACITOR. ALL RESISTANCE VALUES ARE IN OHM. ALL CAPACITANCE VALUES ARE IN uF(P=pF). ALL E. CAPACITORS ARE SHOWN IN THE FORM OF CAPACITANCE(uF)/RATED VOLTAGE(V). T --- T. S. E. CAPACITOR

■ LCD driver & operation switch section

NOTE:
 LNJ308681/1-3/-X --- GREEN LED
 CL-190UB-X-X --- BLUE LED
 EL-19-21UBC/-X --- BLUE LED
 SML-310LT/AN/-X --- RED LED (POWER)
 SML-310VT/KL/-X --- RED LED (OTHERS)
 SML-310VT/KL/-X --- YELLOW LED
 SML-310DT/KL/-X --- AMBER LED

REMARK	KD-SX870J	KD-SX975U SERIES	KD-SX770J	KD-SX875U SERIES	KD-SX777UR
D601	SML-310LT/AN/-X	SML-310LT/AN/-X	SML-310LT/AN/-X	SML-310LT/AN/-X	SML-310LT/AN/-X
D602-D604	SML-310VT/KL/-X	SML-310VT/KL/-X	LNJ308681/1-3/-X	LNJ308681/1-3/-X	LNJ308681/1-3/-X
D605-D610	LNJ308681/1-3/-X	LNJ308681/1-3/-X	LNJ308681/1-3/-X	LNJ308681/1-3/-X	LNJ308681/1-3/-X
D611-D612	NOT USED	NOT USED	LNJ308681/1-3/-X	LNJ308681/1-3/-X	LNJ308681/1-3/-X
D613-D620	LNJ308681/1-3/-X	LNJ308681/1-3/-X	SML-310VT/KL/-X	SML-310VT/KL/-X	LNJ308681/1-3/-X
D621	EL-19-21UBC/-X	SML-310DT/KL/-X	SML-310DT/KL/-X	SML-310DT/KL/-X	SML-310DT/KL/-X
D624	EL-19-21UBC/-X	CL-190UB-X-X	NO USED	NO USED	NO USED
D613	EL-19-21UBC/-X	CL-190UB-X-X	LNJ308681/1-3/-X	LNJ308681/1-3/-X	LNJ308681/1-3/-X
D604	NOT USED	NOT USED	USED	USED	USED
R621	680	680	270	270	270
R624	NOT USED	NOT USED	390	390	390
R629	2.2K	510	510	510	510
R630	820	620	510	510	510
R644	470	470	0	0	0



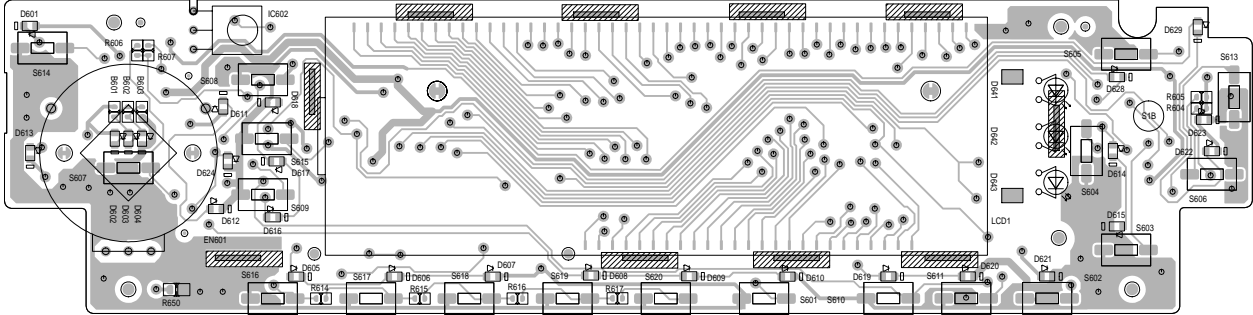
FOR JEIN SWITCH BOARD MODEL

MODEL	SWITCH BOARD
KD-SX870J	OPEN-SWPCB-1
KD-SX770J	OPEN-SWPCB-2
KD-SX975U SERIES	OPEN-SWPCB-7
KD-SX875U SERIES	OPEN-SWPCB-8

Note: te/s/jes/sx875/3181.003
 FSDH3181-006SW 3/3
 KD-SX870J/770J/777UR/SX875U/975U SERIES

■ Front board(Forward side)

5

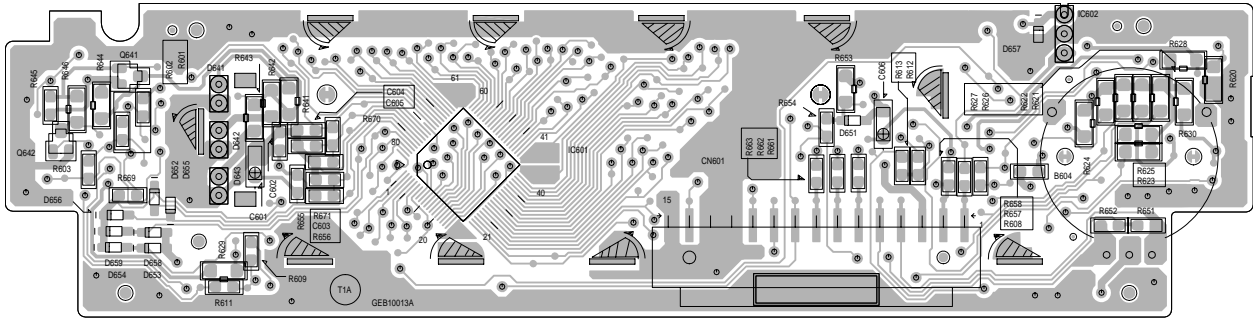


4

3

■ Front board (Reverse side)

2



1

Note:KD-SX875/KD-SX975/KD-SX870/KD-SX770